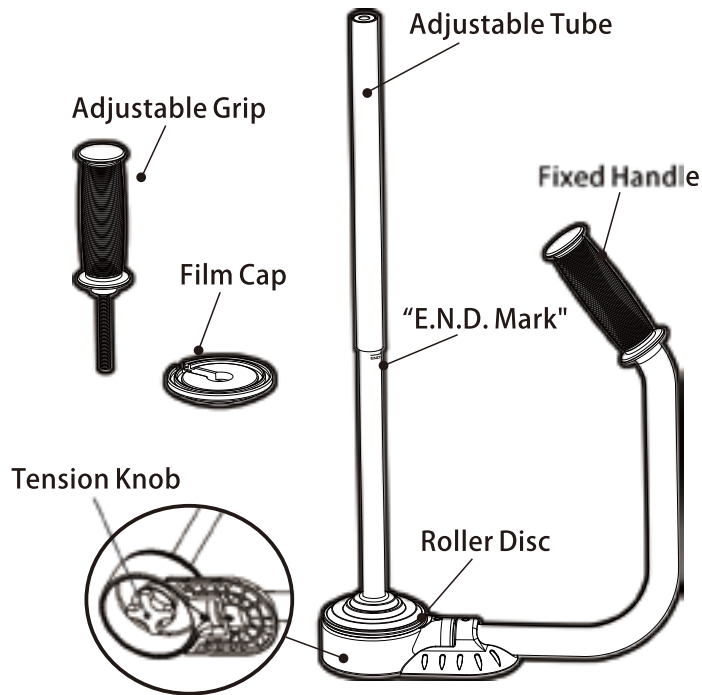
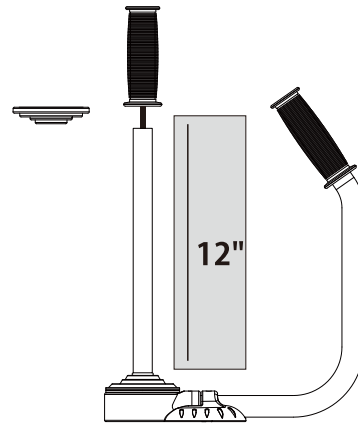


LOADING INSTRUCTIONS:



**Width Setting**

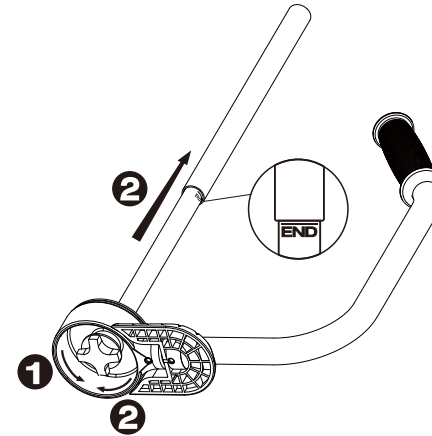
• *Before Modify*



SF-2781A / SF-2581A initial width for 12"  
SF-2781E / SF-2581E initial width for 13"

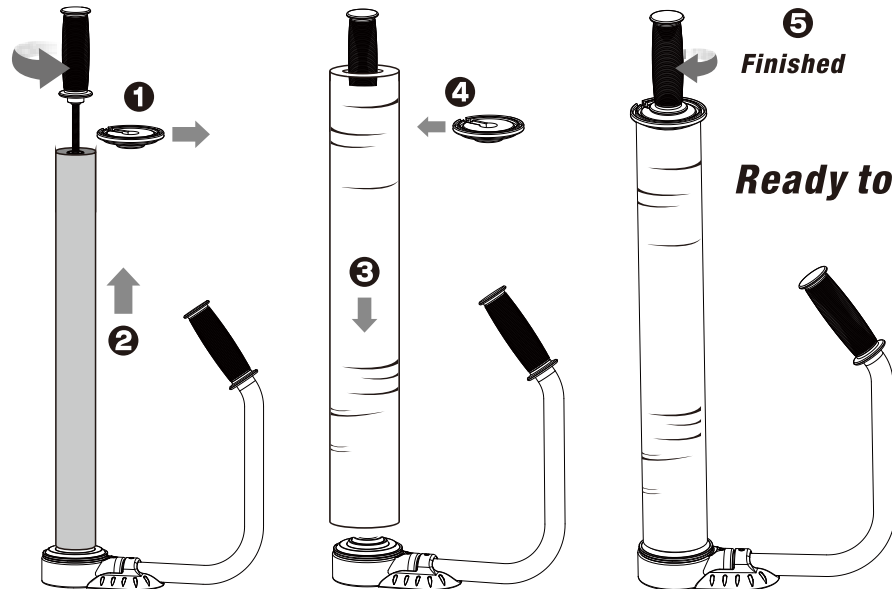
• *Modifying*

For 18" width film: Pull the rod in alignment with E.N.D. Mark  
For over 18" to 21" width film: Pull the rod above the E.N.D. Mark



1. Loosen the tension knob by turning it counter-clockwise.
2. Pull the rod in alignment with E.N.D -mark, then lock the tension knob by turning it clockwise.

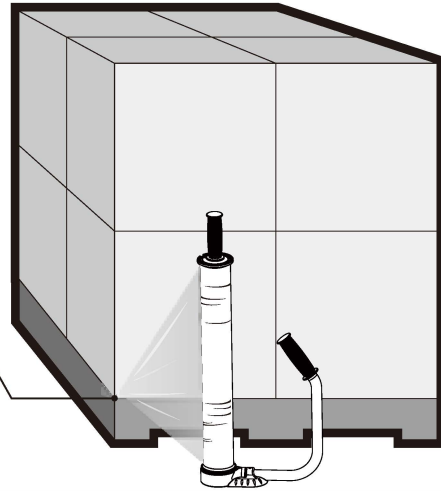
**Change the Core**



1. Loosen the grip by turning it counter-clockwise and remove the film cap.
2. Pull out the used film core.
3. Insert another roll of film over the adjustable grip. Ensure the core is fitted onto the base roller disc.
4. Put the cap back onto the top of the film.
5. Lock up the adjustable grip to the desired tension.

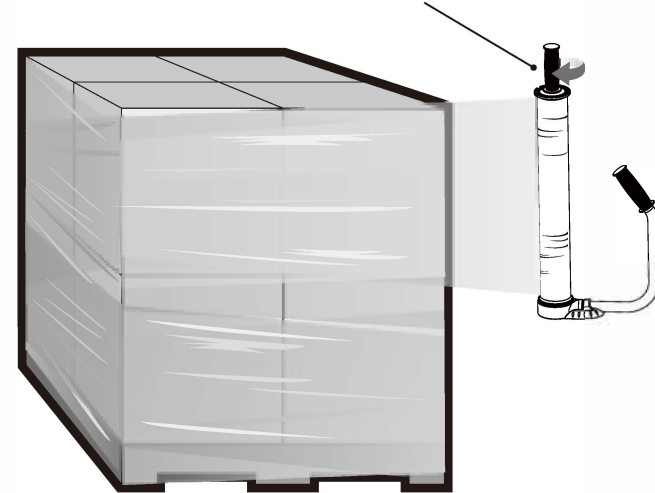
**Note:**  
Tighten the tension knob before adjusting the grip to ensure the film tension is reached.

**0** Squeeze the end of the film together into a loose rope shape and thread this through and around one corner of the pallet



**2**

Adjust the grip anytime to control the film tension



**3** Pull the roll tightly going around the corner, lock the grip and pull again to tear the film

